

# WINDSIDE

# WS-2B dimensions and technical info

**Windside WS-2B technical info:**

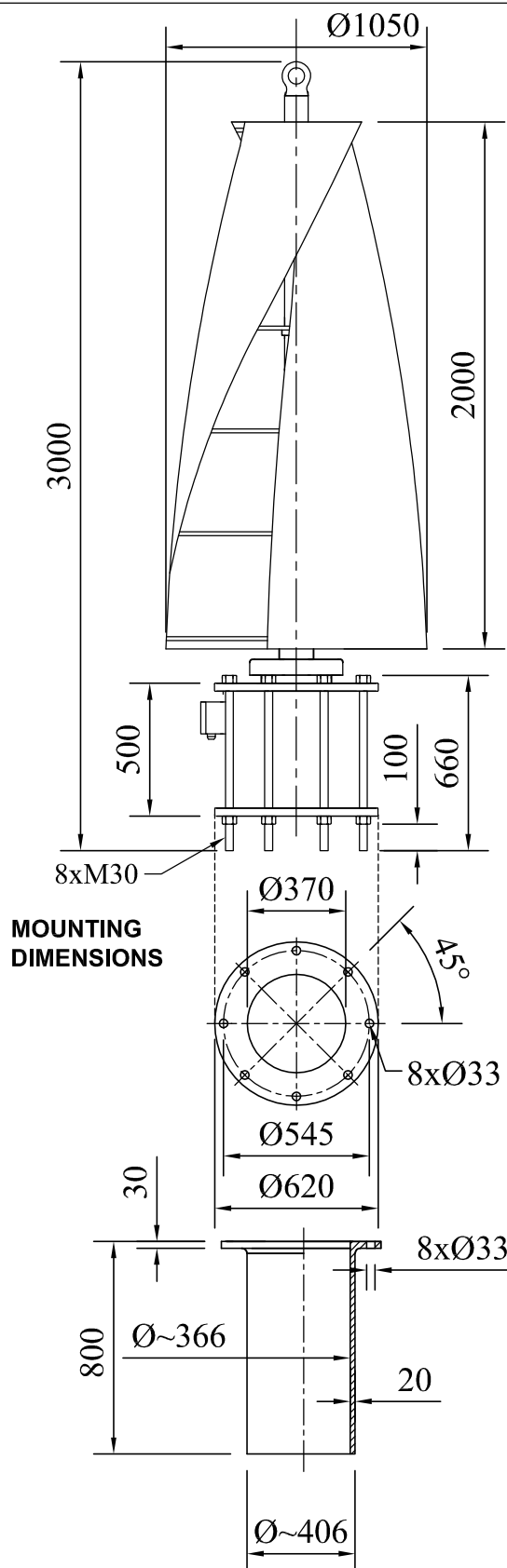
- Weight: 550 kg
- Swept area: 2 m<sup>2</sup>
- Generator: 36A in delta, 21A in star connection
- Voltage: 12V battery charging mode 15V  
24V battery charging mode 30V  
48V battery charging mode 60V
- For direct resistance load, voltage depends on use
- Fastening of the turbine with 8 pc of M30 bolts
- Wind load, side force to the middle point of the vane, Calculated 1,1 m up from the generator: 500 kg
- The weight of the base depends on the height of the mast - in other words on the length of the torque arm.
- WS-2B-model Max 800 rpm
- WS-2B Guaranteed at constant wind speed of 40 m/s

**Materials:**

- Vanes: fibre glass
- Fastenings: marine grade aluminium
- Shaft: Ø90 mm chrome coated steel
- Generator and Generator End Plates: dip galvanized steel or marine grade aluminium
- All bolts stainless steel or dip galvanized (A4, A2 or Zn)

**Assets of Windside wind turbines:**

- No need to stop or secure during storms
- Produces max. amount of energy in storms
- No need to be turned to the wind direction
- Soundless; 0 dB, measured in 2 meters distance from the vane
- Stands snow, frost, heat and humidity
- Long lifespan
- Minimum need of maintenance, only lubrication
- Safe to people, animals and nature



# windside

OY WINDSIDE PRODUCTION Ltd

E-mail and internet:  
finland@windside.com  
www.windside.com

Tel.: +358-208-350 700  
Fax: +358-208-350 701  
Mobile: +358-400-315 037

The Manufacturer reserves  
all rights to all modifications  
without further notice.