

# WINDSIDE

# WS-2City dimensions and technical info

**Windside WS-2CITY technical info:**

- Weight: 120 kg
- Swept area: 2 m<sup>2</sup>
- Generator:
  - 10m/s wind speed: 3A in delta, 2A in star connection
  - 20m/s wind speed: 13A in delta, 8A in star connection
- Voltage: 12V battery charging mode max. 15V  
24V battery charging mode max. 30V
- For direct resistance load, voltage depends on use
- Fastening of the turbine with 6 pc of M12 bolts
- Wind load, side force to the middle point of the vane, Calculated 1,1 m up from the generator: 500 kg
- The weight of the base depends on the height of the mast - in other words on the length of the torque arm.
- WS-2CITY-model rotational speed max. 400 rpm
- WS-2CITY Wind endurance guaranteed at constant wind speed of 20 m/s

**Power production:**

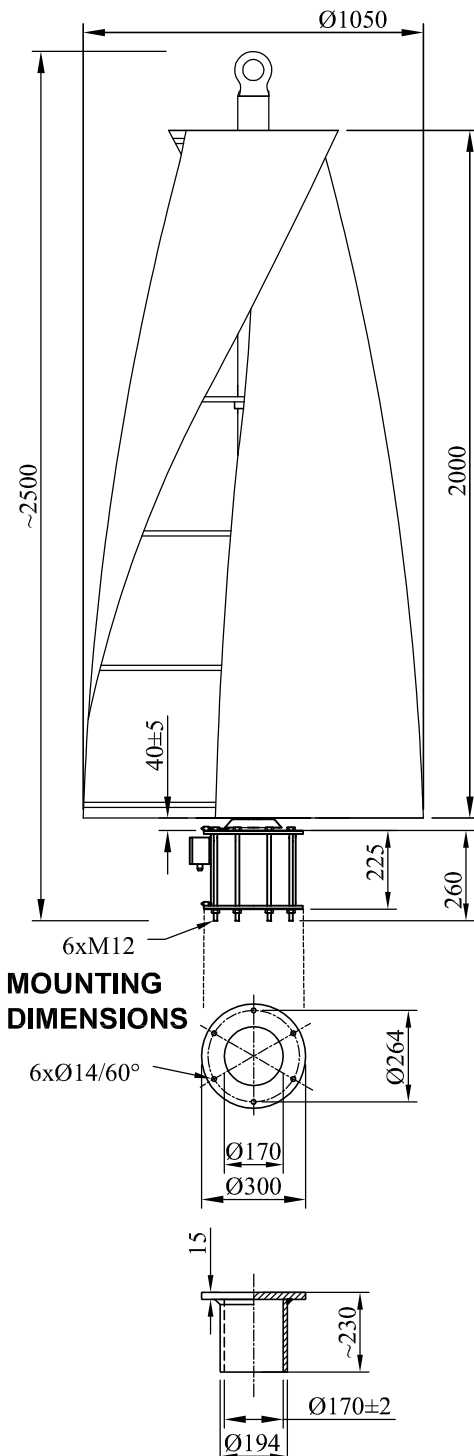
- 0,2-1MWh per year depending on location

**Materials:**

- Vanes: fibre glass
- Fastenings: marine grade aluminium
- Shaft: steel
- Generator and Generator End Plates: hot dip galvanized steel or marine grade aluminium
- All bolts stainless steel or hot dip galvanized (A4, A2 or Zn)

**Assets of Windside wind turbines:**

- No need to stop or secure during storms
- Produces max. amount of energy in storms
- No need to be turned to the wind direction
- Soundless; 0 dB, measured in 2 meters distance from the vane
- Stands snow, frost, heat and humidity
- Long lifespan
- Minimum need of maintenance, only lubrication
- Safe to people, animals and nature



# windside

OY WINDSIDE PRODUCTION Ltd

E-mail and internet:  
finland@windside.com  
www.windside.com

Tel.: +358-208-350 700  
Fax: +358-208-350 701  
Mobile: +358-400-315 037

The Manufacturer reserves  
all rights to all modifications  
without further notice.